

820.015.075 BÖJ 15°

-Diameter: Ø75 mm
-Rostfritt stål: AISI304/EN1.4301

Produktkoder

EAN: 5705499401141
LVI-nummer: 0240583
NRF-nummer: 2170035
RSK-nummer: 1550098
VVS-nummer: 160209075

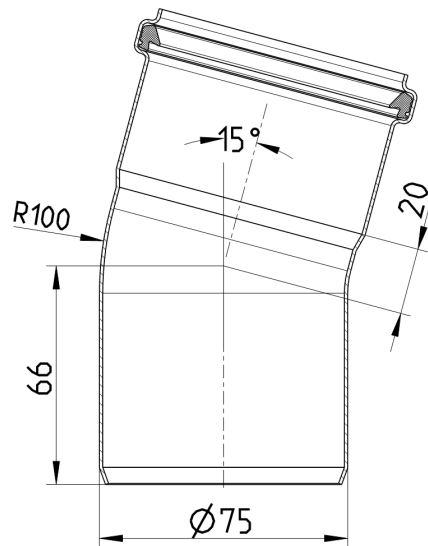
Specifikation

Material: AISI 304
Material (EN): EN 1.4301
Utloppsdiаметer (mm): 75
Vikt (kg): 0,26



Godkännanden

-  AUS - WMKT00204 - 24
-  BLÜCHER® EuroPipe EPD
-  DE - TÜV Rheinland R 60178453 0001
-  DK - VA 2.12/19349 EuroPipe DS432
-  HACCP Food Safety Programme - Australasia
-  HACCP Food Safety Programme - Europe
-  NO - 0692-22 EuroPipe
-  TÜRK LOYDU - 25041616077231247
-  US - IAPMO File No.3247-EuroPipe



ABS - 23-2329630-PDA
Achilles Certificate - 46702
Bureau Veritas, 02375-I0 Pipes & Fittings
DNV - TAP0000023-rev5, Sanitary discharge pipes
KR - Type Approval CPH42135-PE001
Lloyds Register LR22419510TA_02
MARINE - R4547 NATO CODIFICATION SYSTEM
PL - Hygienic Certificate - All Products

BLÜCHER®

Godkännanden

RINA -MAC320524XG EuroPipe

UR - 1055745 Product approval, EuroPipe and Drains

